

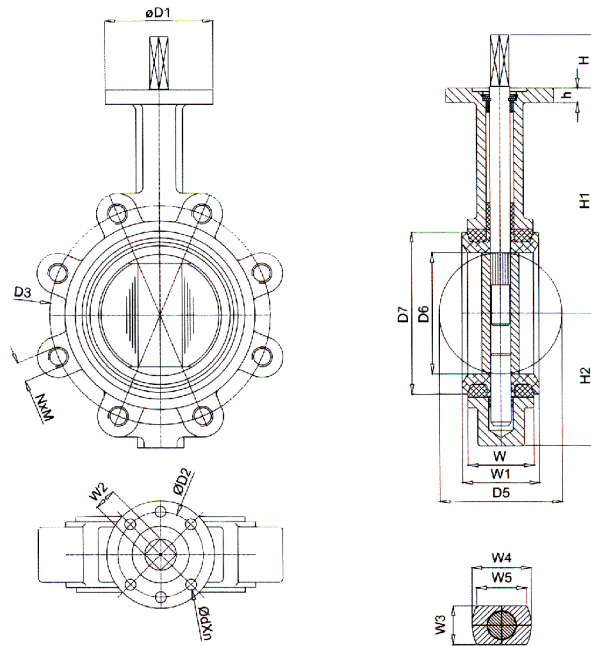


**2000**

**VALVOLA A FARFALLA LUG SERIE 2000**

**VALVOLA A FARFALLA TIPO LUG  
CON LEVA O RIDUTTORE MANUALE  
DN32/40 - DN350/600**

**LUG TYPE BUTTERFLY VALVE  
WITH HAND LEVER OR WORM GEAR  
DN32/40 - DN350/600**



**DIMENSIONI**

**SIZE**

DN	H	H1	H2	h	W	W1	W2	W3	W4	W5	D1	D2	D3	NxM	D5	D6	D7	d <sub>xn</sub>	
<b>32</b>	42	90	52	13	33	38	9	26	32	26	90	70	100	4-M16	42.5	37.5	58	10	6
<b>40</b>	42	128	62	12	33	36.5	9	27	35	28	90	70	110	4-M16	42.5	37.5	66	10	6
<b>350</b>	42	360	270	20	76	81	22	54	56	39	125	102	470	16-M24	334	326	371	12	4
<b>400</b>	42	400	315	20	86	90	22		Ø76		197	140	525	16-M27	390	381	436	18	4
<b>450</b>	52	422	328	20	90	109	27		Ø74		197	140	585	20-M27	441	430	486	18	4
<b>500</b>	64	480	361	22	131	136	27		Ø80		197	140	650	20-M30	492	481	532	18	4
<b>600</b>	70	562	459	22	151	158.5	36		100 x 100		276	165	770	20-M33	593	581	652	22	4