

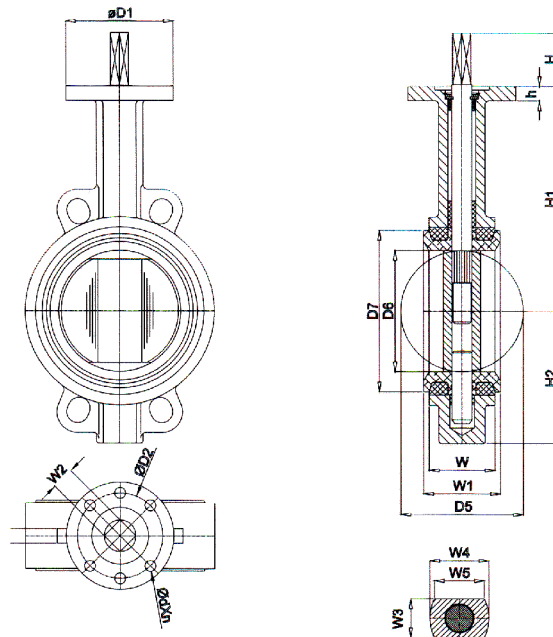


1000

VALVOLA A FARFALLA WAFER SERIE 1000

**VALVOLA A FARFALLA TIPO WAFER
CON LEVA O RIDUTTORE MANUALE
DN32/40 - DN350/600**

**BUTTERFLY VALVE WAFER TYPE
WITH HAND LEVER OR WORM GEAR
DN32/40 - DN350/600**



DIMENSIONI

SIZE

| DN | H | H1 | H2 | h | W | W1 | W2 | W3 | W4 | W5 | D1 | D2 | D5 | D6 | D7 | dxn | |
|------------|----|-----|-----|----|-----|-------|----|----|-----------|----|-----|-----|------|------|-----|-----|---|
| 32 | 42 | 135 | 66 | 12 | 33 | 38 | 9 | | Ø27 | | 90 | 70 | 42.5 | 37.5 | 58 | 10 | 6 |
| 40 | 42 | 133 | 69 | 14 | 33 | 36.5 | 9 | | Ø28 | | 90 | 70 | 42.5 | 37.5 | 66 | 10 | 6 |
| 350 | 42 | 360 | 270 | 20 | 76 | 81 | 22 | 49 | 56 | 37 | 125 | 102 | 334 | 326 | 371 | 12 | 4 |
| 400 | 42 | 400 | 315 | 20 | 86 | 90 | 22 | | Ø76 | | 197 | 140 | 390 | 381 | 436 | 18 | 4 |
| 450 | 52 | 422 | 328 | 20 | 90 | 109 | 27 | | Ø74 | | 197 | 140 | 441 | 430 | 486 | 18 | 4 |
| 500 | 64 | 480 | 361 | 22 | 131 | 136 | 27 | | Ø80 | | 197 | 140 | 492 | 481 | 562 | 18 | 4 |
| 600 | 70 | 562 | 459 | 22 | 151 | 158.5 | 36 | | 100 x 100 | | 276 | 165 | 593 | 581 | 652 | 22 | 4 |