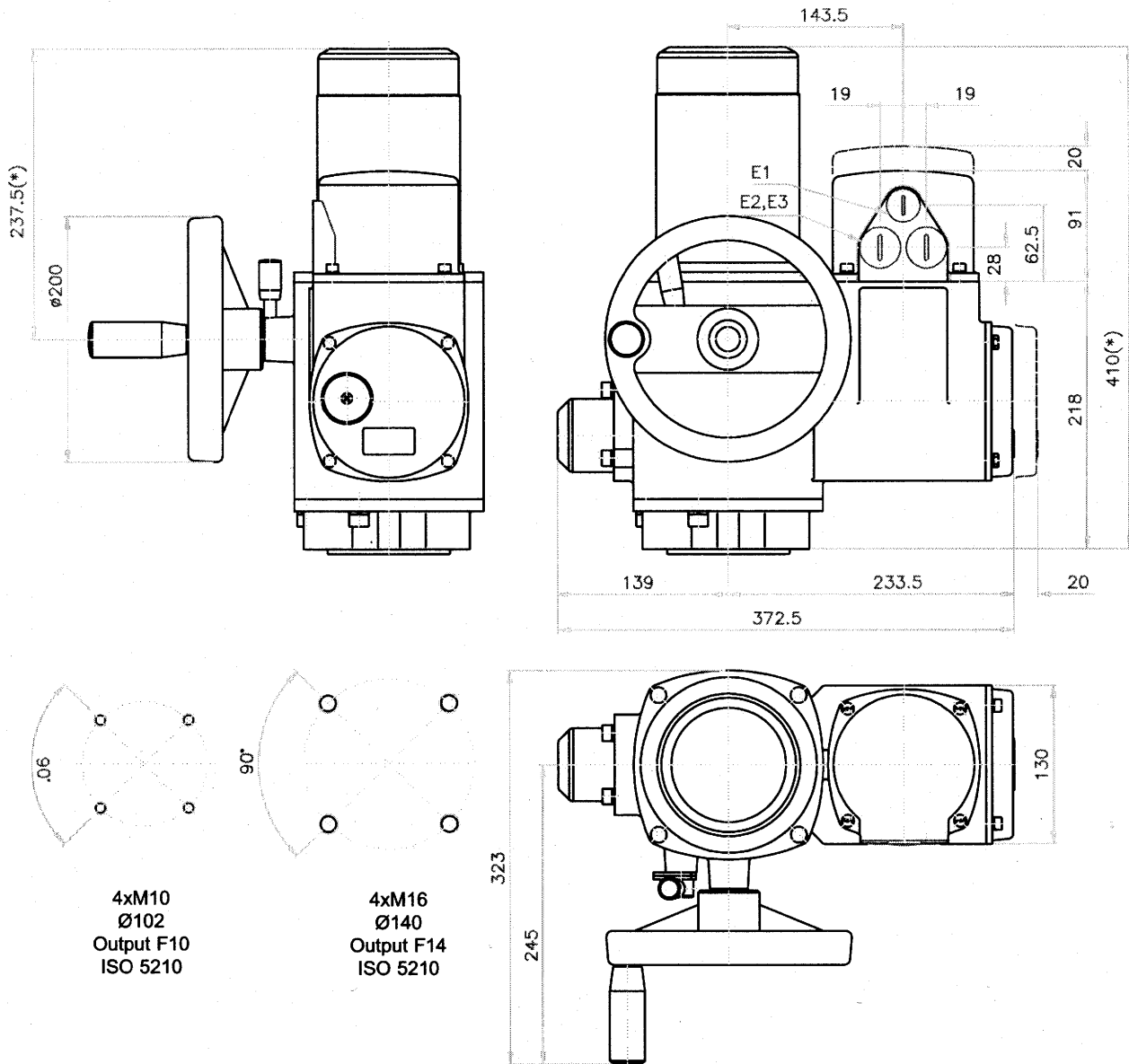


**DIMENSIONS 400-012 // 410-012  
400-025 // 410-025**

**SERIES 400  
410**



**Cables entries:**

- Standard configuration  
E1: Pg 16  
E2,E3: Pg 21
- Option NPT:  
E1: ½" NPT  
E2,E3: ¾" NPT
- Option metric:  
E1: M20x1,5  
E2,E3: M25x1,5

Dimensions in mm.

(\*) Exact dimensions depending on motor required.

**Approximate weight : 34,2 (Kg.).**

Subject to change without notice. Previous data sheets invalid with the issue of the latest data sheets.

**VALVE  
CONTROL**



N° :

**E1400A021**

Issued:

**06.02**

**TECHNICAL DATA**  
**MULTI-TURN ELECTRICAL ACTUATORS**  
**RISING STEM - ON/OFF DUTY**

**401 SERIES**

Model	Tripping Torque		Output speed (1/min.)	Valve coupling Flange ISO 5210	Max. stem diameter Output type B0 (mm)	Handwheel diameter (mm)	Max. stem length output type B0 (mm)	Revolutions for full stroke (N° of turns)	Weight (kg)
	Máx (N.m)	Mín (N.m)							
401.003 403.003	30	18	11	F07/F10	26/40	125	40/70	2-750 (Optional 2-7.500)	31,8
			14						
			22						
			28						
			44						
			56						
			88						
			112						
			175						
401.006 403.006	60	36	5,5	F07/F10	26/40	125	40/70	2-375 (Optional 2-3.750)	31,8
			7						
			11						
401.012 403.012	120	72	14	F10	40	125	70	2-375 (Optional 2-3.750)	32,3
			22						
			28						
			44						
			56						
			88						
			112						
			175						
			224						
			2,75						
			3,5						
401.025 403.025	250	150	5,5	F14	56	125	160	2-375 (Optional 2-3.750)	40,6
			7						
			11						
			14						
			22						
			28						
			44						
			56						
			88						
			112						
			200						
			125						
			200						

All speeds obtained with 50 Hz. supply. For 60 Hz. supply, multiply the output speeds by 6/5.

All actuators are standard non-self locking.

\*In the table, 400 series actuators weights are indicated. The 402 series actuators weights can be obtained by adding 7,6 Kgs. to the 400

Subject to change without notice. Previous data sheets invalid with the issue of the latest data sheets.

VALVE CONTROL



N° :

**E1401B001**

Issued:

**06.02**